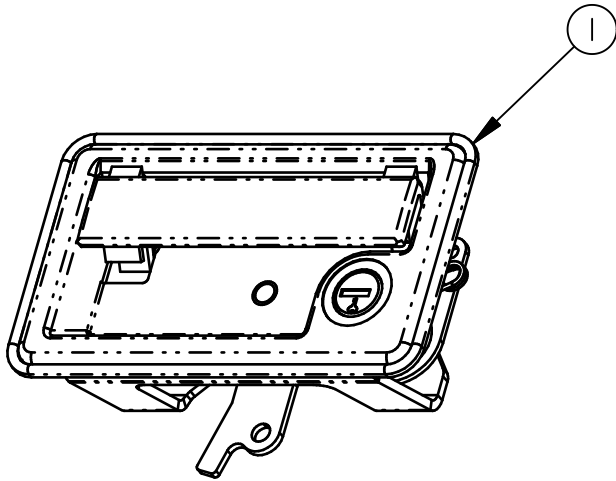


REV.	ECN	BY	CHKD	REVISION
0	RLSE	BJP 9/14/98	JJH 9/14/98	RELEASED

6	-	DR, COMPT, SM	1
5	-	RELEASE ROD	1
4	10335-16	ASSY, BLT/WSHR, .905SHLDR, 3/8-16	1
3	11920-16	ASSY, CAGE, NUT, 3/8 THD	1
2	11656-16	ASSY, SGLRTR, RH, 1/4-20, 2PT	1
1	12430-04	030-0450, CNNC, TM211, RH, 2P5, SHTSTUD, INTEAR	1

NOTES:

1. CLIPS TO SECURE ROD NOT SHOWN.



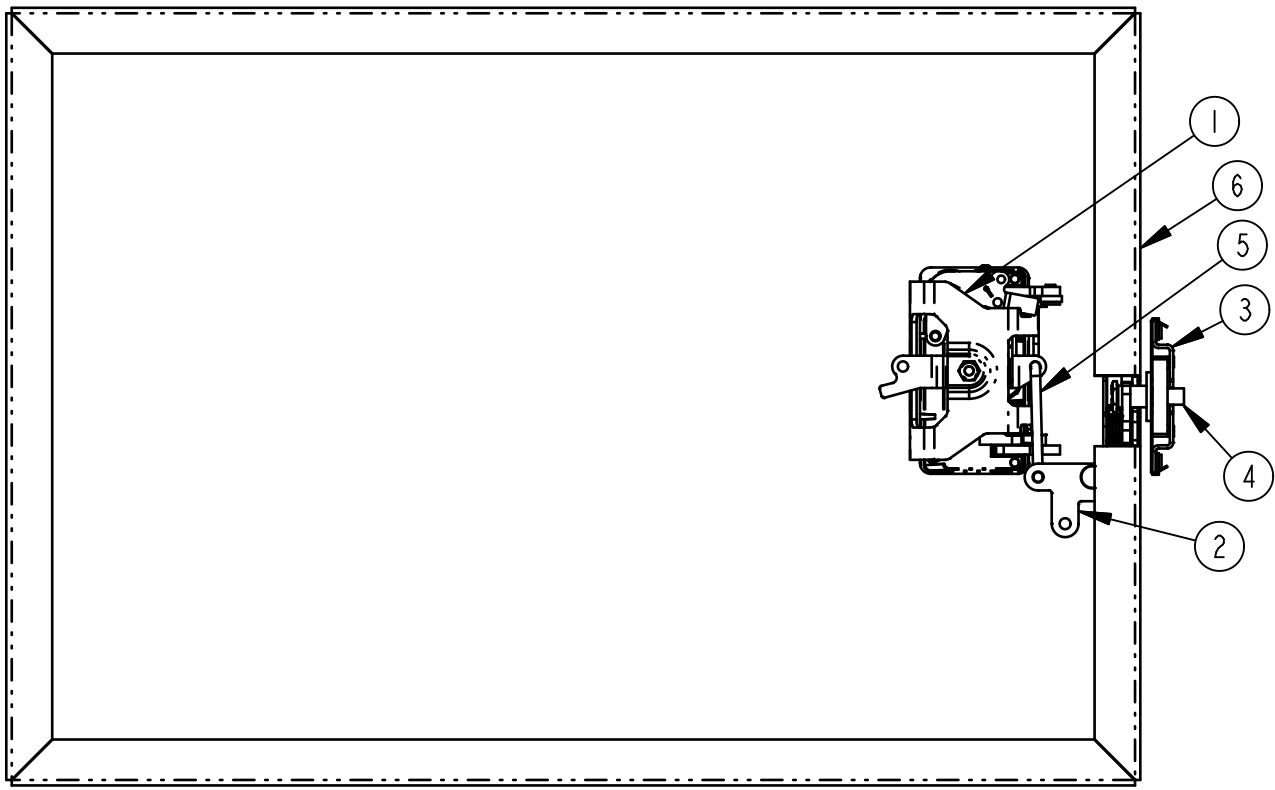
SCALE 0.500

**PRODUCT SUPPORT DRAWING**  
Individual part dimensions are for reference only. Refer to individual part drawings for complete dimensions and specifications.

**SHEET 1 OF 2**

DRAWN BY	BJP	9/14/98
CHKD BY	JJH	9/14/98
RLSE DATE	RCH	9/14/98

TYPICAL APPLICATION	
SMALL COMPARTMENT DOOR	
SCALE	PART NAME
1:4	030-0450, 050-0200, DR, COMPT, SM
<b>A</b>	REV.
	PART NO.
0	TY030-0450D



INSIDE VIEW

**PRODUCT SUPPORT DRAWING**  
 Individual part dimensions are for reference only. Refer to individual part drawings for complete dimensions and specifications.

**SHEET 2 OF 2**

<b>DRAWN BY</b>	BJP	9/14/98
<b>CHKD BY</b>	JJH	9/14/98
<b>RLSE DATE</b>	RCH	9/14/98

<b>TYPICAL APPLICATION</b>	
SMALL COMPARTMENT DOOR	
<b>SCALE</b>	<b>PART NAME</b>
1:4	030-0450, 050-0200, DR, COMPT, SM

**A**

<b>REV.</b>	<b>PART NO.</b>
0	TY030-0450D